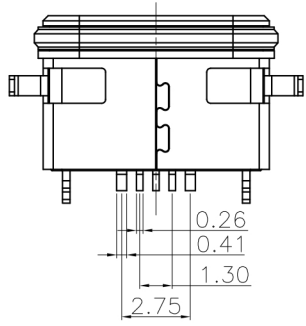
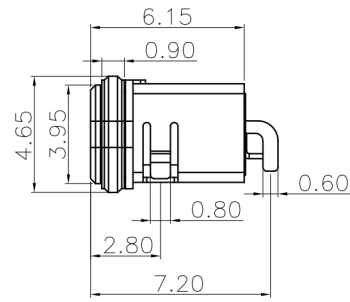
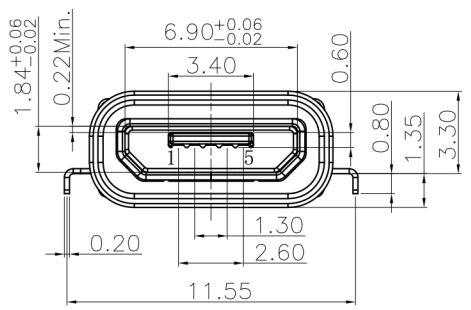
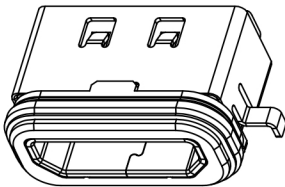
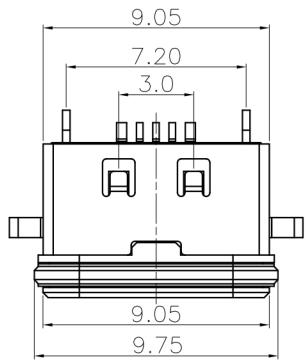
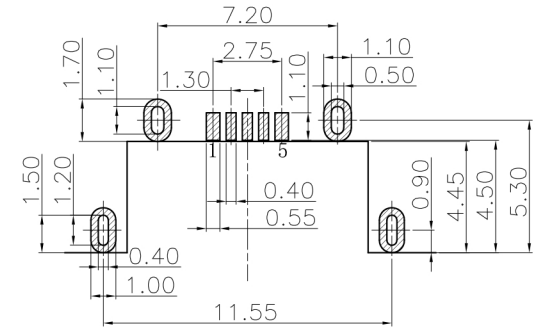


A
B
C
D
E
F
G
H



1. Material/Plated
 - 1.1 Housing:LCP,Black UL 94V-0.
 - 1.2 Plastic Hood:LCP,Black UL 94V-0.
 - 1.3 Terminal:Copper Alloy,Gold Flash Plated At Contact Area, Tin Plated At Soldered Area, Nickel Underplated Overall
 - 1.4 Shell:Stainless steel,Tin plated,Nickel Underplated Overall
 - 1.5 Seal Ring:Silica gel
 - 1.6 Glue:Black
2. Electrical Performance
 - 2.1 Rated Voltage: 30V AC
 - 2.2 Rated Current: 1,5Pin: 3.0A Max. 2,3,4Pin: 1.0A Max.
 - 2.3 Contact Resistance: 30mΩ Max.
 - 2.4 Insulation Resistance: 1000MΩ Min.
 - 2.5 Dielectric Strength: 100V AC
3. Mechanical Performance
 - 3.1 Insertion Force: 35N Max.
 - 3.2 Withdrawal Force: 8-35N
 - 3.3 Durability: 10000 Cycles
4. Operating Temperature: -25° C To +85° C
5. Waterproof: IPX8



PCB LAYOUT

					DRAWN	Tom	2019-06-28	DIMENSION TOLERANCE X ±0.35 X.X ±0.25 X.XXX ±0.15 GENERAL ANGLE: ±3° UNIT: mm	东莞市神久电子科技有限公司 Dongguan Shenjiu Electronic Technology Co., Ltd	
					CHECKED	Ango	2019-06-28			
					APPROVE	Kevin	2019-06-28		PART NO.	UMX-036C1AP
					SCALE: N/A	SHEET: 1 OF 1			DWG. NO.	
REVISIONS										
A	NEW RELEASE		Tom	2019-06-28						
REV.	DESCRIPTION	ECN NO.	NAME	DATE						