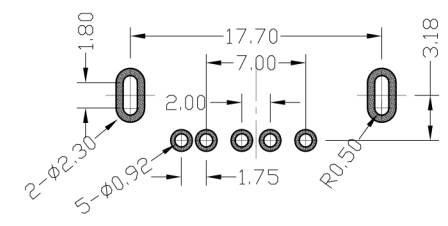
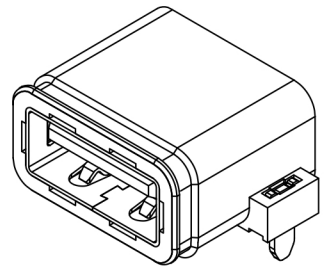
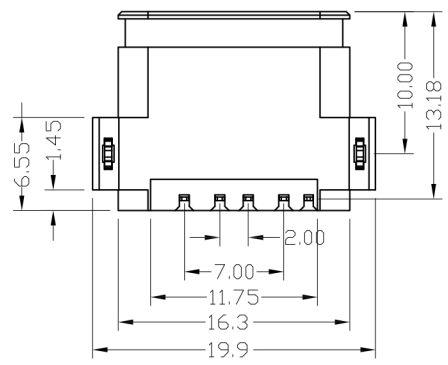


1. Material/Plated
 - 1.1 Housing: PBT, Black UL 94V-0.
 - 1.2 Terminal: Copper Alloy, Gold Flash Plated At Contact Area, Tin Plated At Soldered Area, Nickel Underplated Overall
 - 1.3 Shell: Copper Alloy, Nickel plated
2. Electrical Performance
 - 2.1 Rated Voltage: 30V AC
 - 2.2 Rated Current: 1.5A
 - 2.3 Contact Resistance: 30mΩ Max.
 - 2.4 Insulation Resistance: 1000MΩ Min.
 - 2.5 Dielectric Strength: 500V AC
3. Mechanical Performance
 - 3.1 Insertion Force: 35N Max.
 - 3.2 Withdrawal Force: 10-35N
 - 3.3 Durability: 1500 Cycles
4. Operating Temperature: -25° C To +85° C
5. Waterproof: IPX7



PCB LAYOUT

					DRAWN	Tom	2019-06-13	DIMENSION TOLERANCE X ±0.35 X.X ±0.25 X.XXX ±0.15 GENERAL ANGLE: ±3° UNIT: mm	东莞市神久电子科技有限公司 Dongguan Shenjiu Electronic Technology Co., Ltd	
					CHECKED	Ango	2019-06-13			
					APPROVE	Kevin	2019-06-13		PART NO.	UAF-028V1AP
					SCALE: N/A	SHEET: 1 OF 1			LEVEL	CXX
REVISIONS A NEW RELEASE Tom 2019-06-13 REV. DESCRIPTION ECN NO. NAME DATE										